

# ECO-100

Cash Drawer

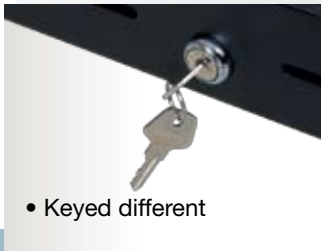
**CBM**  
design driven  
manufacturing™

Cash Drawers



The 24 Volt  
ECO - 100 Cash  
Drawer is a cost-  
effective solution  
for all your cash  
drawer needs

## Standard Features



- Keyed different

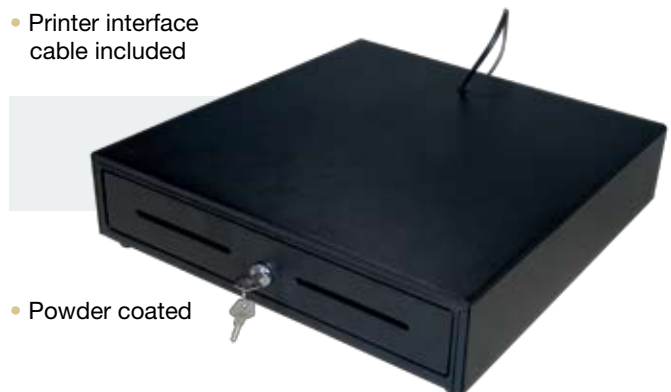


- Adjustable bill dividers

- Heavy duty steel construction
- 6 coin plastic tray
- Small footprint
- Dual media slots
- Lightweight
- Printer interface cable included



- Removable coin section

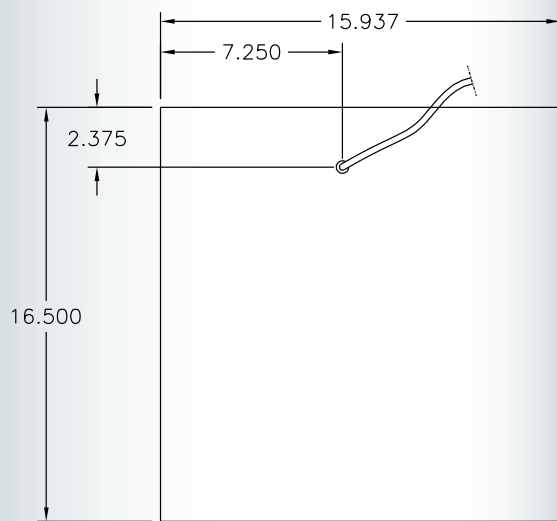
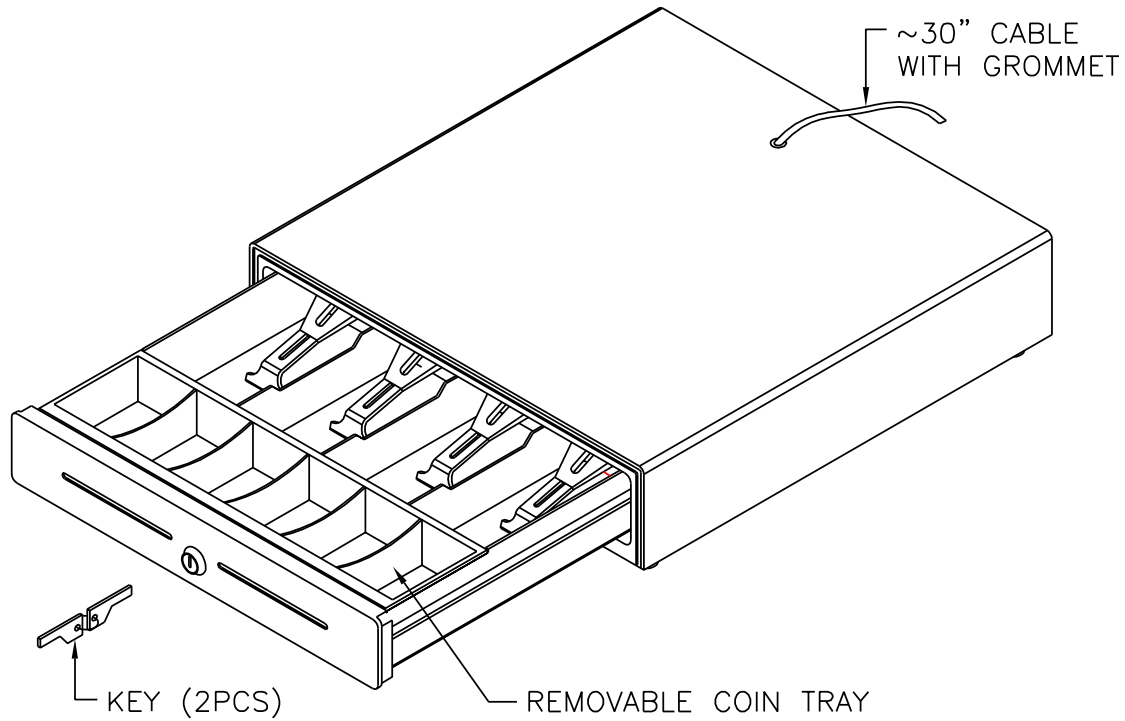


- Powder coated



# ECO-100

Cash Drawer



## Specifications

- Shipping Weight: 13 lbs (2.9 kg)
- Dimensions: 3.54" H x 15.94 W x 16.52 D (90mm H x 405mm W x 420mm D)

