

# LCD-T75/100 & LCD-F75/100

Tilt & Flush Wall Mount



Since 1927

## LCD-T75/100 Features

- Compatible with 75/100 Vesa standard LCD flatpanels
- Mounts directly to wall with applied hardware
- Durable 12 GA. steel
- Maximum load 50 Lbs



## LCD-F75/100 Features

- Slide together design for easy assembly
- Constructed from durable 14 GA. steel
- Mounting hardware for all and LCD is supplied
- Silver powder coated finish
- Maximum load 50 Lbs



LCD-T75/100



LCD-F75/100



CBM recommends that these units be installed by a professional

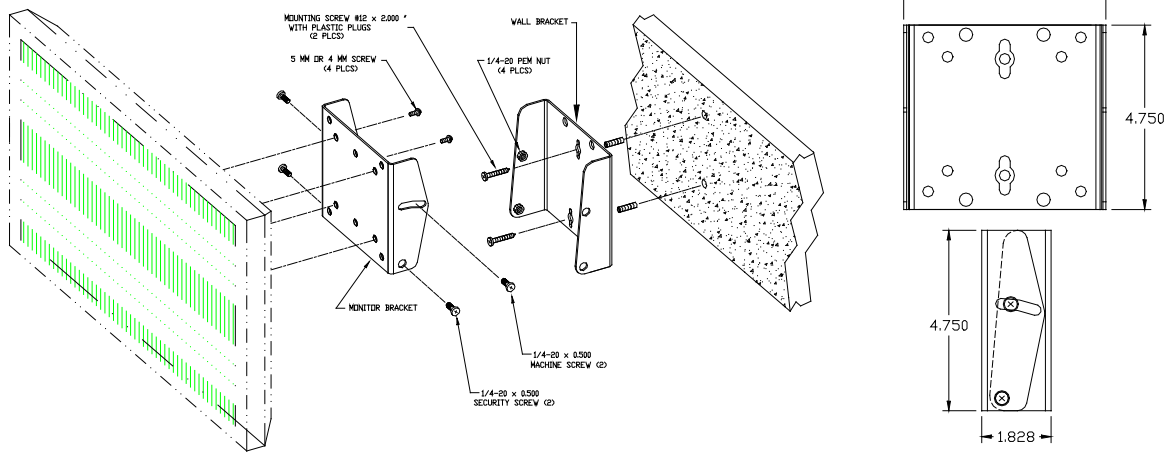
Audio Visual



# LCD-T75/100 & LCD-F75/100

Tilt & Flush Wall Mount

## LCD-T75/100



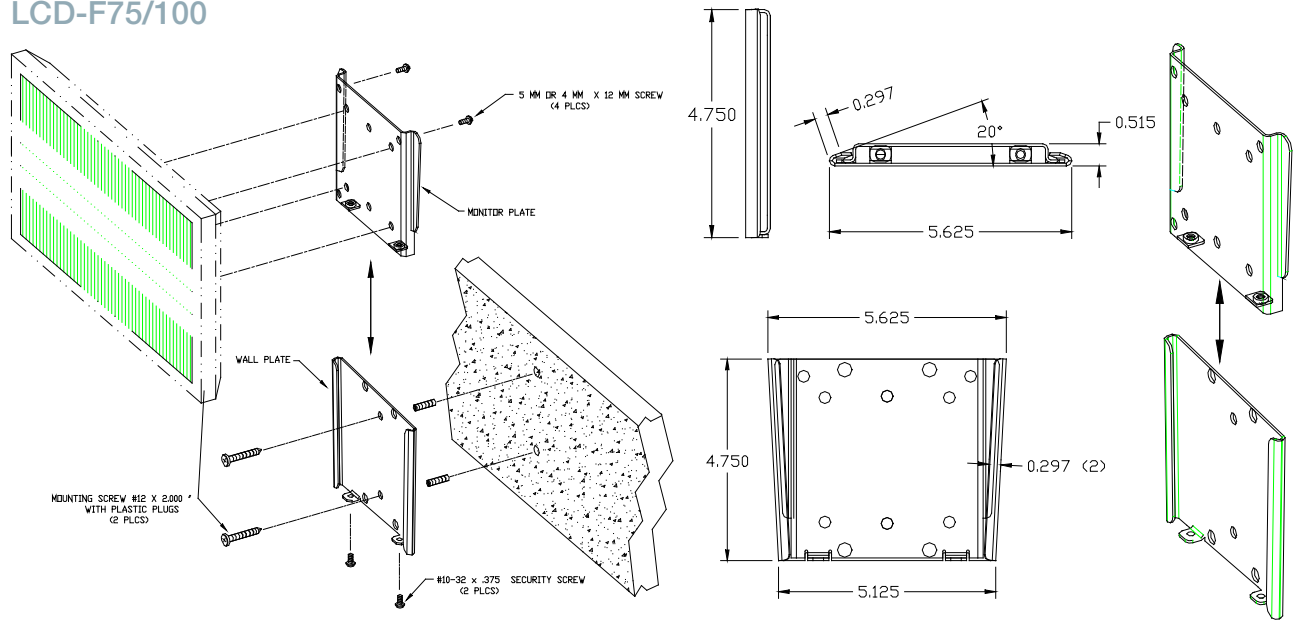
### Specifications:

Shipping weight: 2 Lbs (.90 kg)

Dimensions: 4.75" H x 5.21" W x 1.82" D (12.1 cm H x 13.2 cm W x 4.6 cm D)

Maximum load: 50 Lbs (22.68 kg)

## LCD-F75/100



### Specifications:

Shipping weight: 1.8 Lbs (.82 kg)

Dimensions: 4.75" H x 5.62" W x 0.51" D (12.1 cm H x 14.3 cm W x 1.3 cm D)

Maximum load: 50 Lbs (22.68 kg)

\* 12 Month Full Satisfaction Guarantee \*

CBM Ltd. Guarantees its products against failure or defects for a period of one year from date of purchase. This warranty is void if any damage to the product is due to misuse, abuse, neglect, accident, improper installation, or any uses contrary to the instructions accompanying the product. The foregoing are the purchaser's exclusive remedies CBM Ltd. Assumes no liability for special or consequential damages. Replacement product may be obtained by returning the product, transportation charges prepaid, together with a receipt of purchase or other documents acknowledging the sale.