

# VCF-RF

Video Conference Rack Frame



A versatile solution for rack frame components, storage and video conference equipment.

## Standard Features

- Solid steel body with MDF thermofoil top and base.
- 15 ft power cord and 6 outlet power bar included.
- Standard 4 inch casters.



- Cable management.
- Rear locking access door.
- Louvers and fan for temperature regulation.

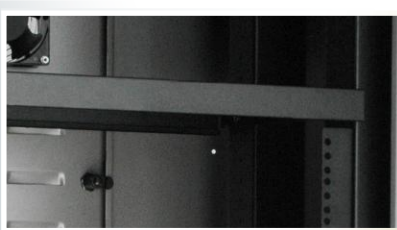


- Locking tempered glass door.

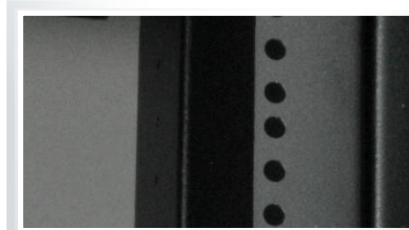


Audio Visual

## Available with alternative configurations



VCF-RFS  
Adjustable component shelf.



VCF-RM  
19 inch center rack mount angle set (max 2 sets per unit).



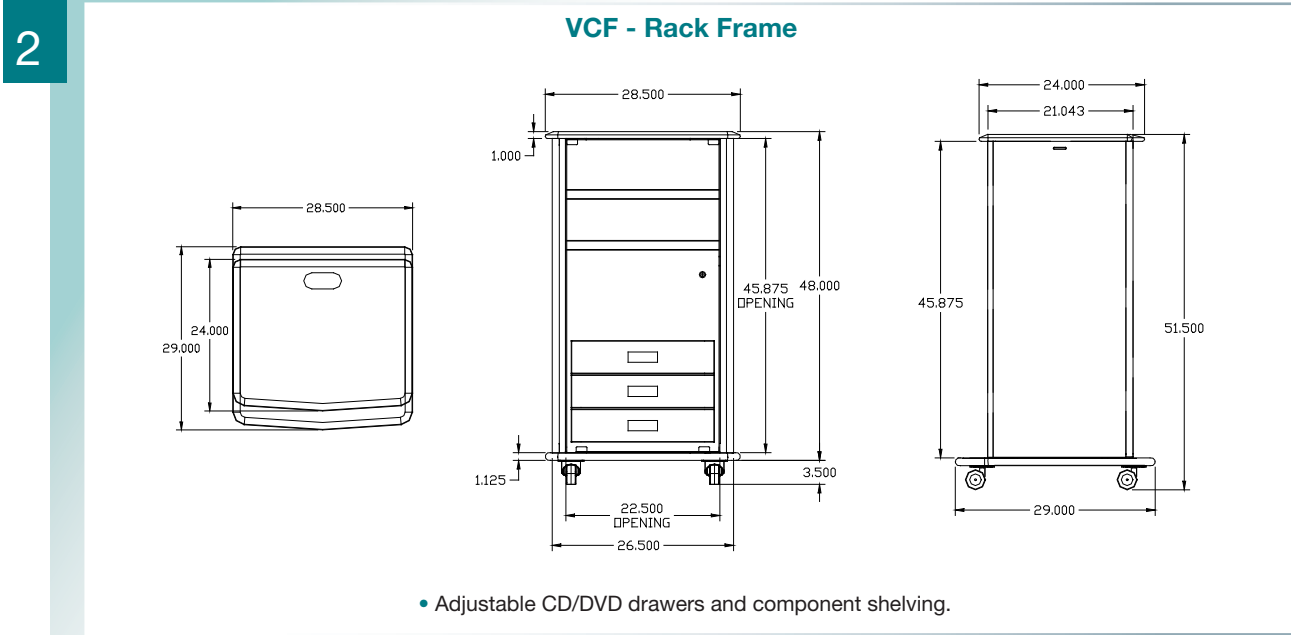
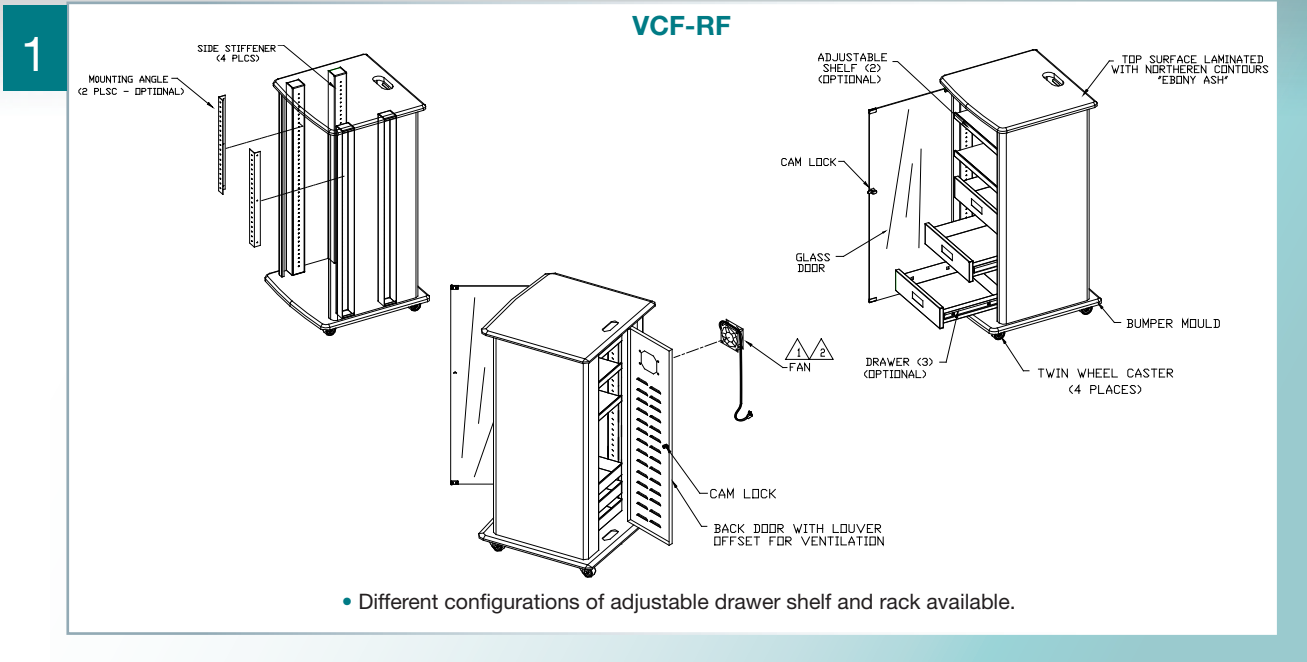
VCF-RFS  
Full extension drawer.



sales@cbmmetal.com • www.cbmmetal.com • 800.387.4834

# VCF-RF

## Video Conference Rack Frame



### Specifications

Shipping weight: 210 lbs (78.4 kg)

Dimensions: 48" H x 28.5" W x 29" D (122 cm H x 72.4 cm W x 73.7 cm D)

Maximum load: 200 lbs (90.1 kg)

### \* 12 Month Full Satisfaction Guarantee \*

CBM Ltd. guarantees its products against failure or defects for a period of one year from date of purchase. This warranty is void if any damage to the product is due to misuse, abuse, neglect, accident, improper installation, or any uses contrary to the instructions accompanying the product. The foregoing are the purchaser's exclusive remedies. CBM Ltd. assumes no liability for special or consequential damages. Replacement product may be obtained by returning the product, transportation charges prepaid, together with a receipt of purchase or other documents acknowledging the sale.