

CompX  
ERGONOMIX



**Concerto**

Change is in the air

# Clear your desk

An era is ending. Bulky CRT monitors are history. Thin flat panel displays are taking their place. The Concerto flat panel display support system is the perfect solution for holding a single display over a desk, or floating up to eight around a workstation.

CompX ErgonomX creates exceptional ergonomic products through extensive research and development. The Concerto complements an innovative line that includes industry-leading keyboard supports, laptop supports and CPU holders.

## VISIONARY ENGINEERING

There is a need in today's office for a flat panel display support that adapts to a wide variety of configurations and applications. The solution? The Concerto system. Fully scalable to support one to eight flat panel displays, Concerto's refined aesthetics, modular construction and intuitive design make it unmatched in the marketplace.



**SINGLE-SCREEN, HEIGHT-ADJUSTABLE  
DOUBLE-EXTENSION ARM**

The superior choice for a single screen

7915SH

## ENHANCED ADAPTABILITY

Concerto is a modular system with the flexibility required in today's workplace, able to adapt to almost every flat panel display application. The trend in many fields is leading towards multiple screens.

The double-arm Concerto is perfect for engineering, design and accounting while the parabolic design, holding four to eight displays in an arc, is ideal for applications such as broadcasting, call centers, IT, security and brokerages. Every Concerto is engineered with the strength to support the move to larger screens.



**DUAL-SCREEN, HEIGHT-ADJUSTABLE  
DOUBLE-EXTENSION ARMS**

**Twin screens or two users**

**7920SH**

## A SYSTEMS APPROACH

Concerto is built on a solid systems approach, so that as your needs grow, you can simply add components. It's easy to move from two to four to eight flat panel displays. And every Concerto comes with both desk clamp and grommet mount hardware for added flexibility.



**PARABOLIC QUAD-SCREEN  
BEAM-MOUNT**

Four, or as many as eight, on a beam

7940S



**INNOVATIVE ENGINEERING**  
Ball-Lock Quick Connect and  
Height-Adjustable Mechanisms

## R&D DRIVEN DESIGN

The Concerto design allows displays to tilt 180°, swing 180° side-to-side and rotate 360°. The spring-assisted Height Adjustment option allows free-floating displays - ideal for sit-to-stand applications. A simple pole height adjustment provides 13" of range on a 16" pole and makes it easy to achieve ergonomically perfect positions. And Concerto's patented Quick Connect allows fast, efficient installations while requiring a tool for removal, making displays theft-resistant.



# Leading by design

## Component excellence

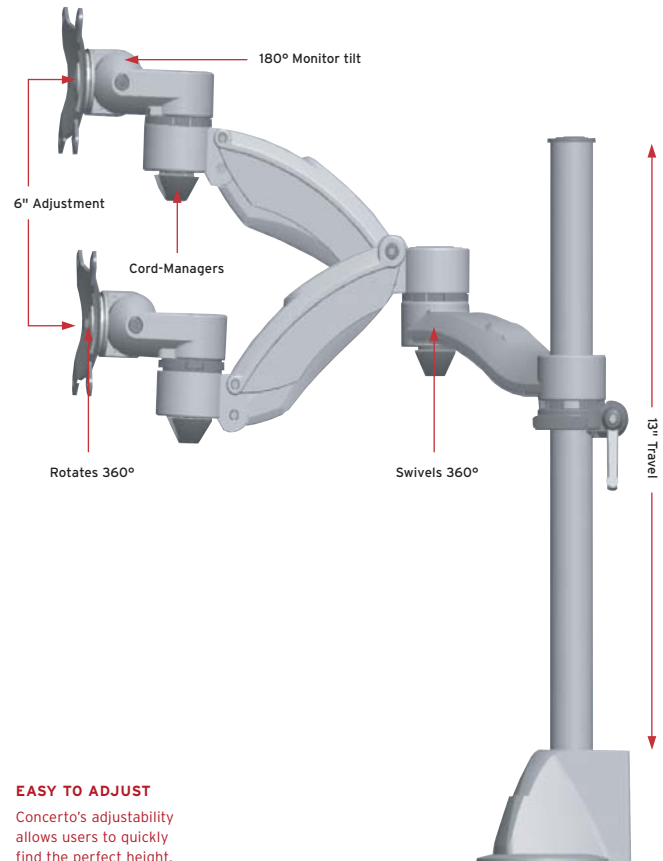
CompX ErgonomX's reputation is built upon its exceptional ergonomic equipment, engineered for today's office environment. The CompX ErgonomX R&D department continues to innovate in office performance and aesthetics, creating equipment that transcends the norm. Our global sourcing team delivers the highest value products at a range of very competitive price points. They are backed by our dependable customer service, to ensure we achieve our primary goal - complete customer satisfaction.

## The perfect support

Concerto is the ideal solution to support flat panel displays, which are expected to outsell traditional CRT monitors by a 5:1 ratio in 2006. It is unmatched in features, from quick, simple installations to integrated cable management. Concerto's sleek modular design is fully scalable to hold one to eight displays. Most Concerto models allow sit-to-stand capabilities. Double-extension units let users pull the display forward for use, then push it out of the way to maximize their working area.

## A new era begins

There are two major trends in today's workplaces: flat panel displays are now the rule, not the exception, and workstations are shrinking. Concerto answers the first with its exceptional design; it's the support standard for the new standard in monitors. And Concerto floats displays above the workstation, maximizing desk space. The result? Concerto is destined to become a trend in itself.



**EASY TO ADJUST**  
Concerto's adjustability allows users to quickly find the perfect height.

## CONCERTO'S UNIQUE FEATURES

- Patented Quick Connect allows fast, simple assembly. Also a theft deterrent - it requires a tool to disconnect
- Each head is independently adjustable, offering 180° of tilt, 180° of side-to-side movement and 360° of landscape-to-portrait movement
- Double Extension models allow 20" of back and forth movement. Arm folds back to post for more desk space
- The arm swivels 360° around the base, increasing the options for display position
- Options are available for panel, wall and slatwall mounting configurations
- Desk clamp and grommet mount hardware are included to minimize SKUs
- Clamp and grommet adjustable to fit most desks and work surfaces
- Pole allows manual height adjustment through a 13" range to accommodate user preferences
- Support ring doubles as a cable manager
- Available with spring assisted height adjustment for free floating vertical movement through a 6" range, great for moving between sitting and standing positions
- Monitor mounting bracket contains both 75mm and 100mm hole patterns to comply with VESA standards
- Aluminum die cast components provide stability and durability for displays up to 21"
- Choice of finishes - silver, black or custom

## POPULAR CONFIGURATIONS

### Single-Screen, Single-Extension Arm 7910B/S

The economic solo option. It gives you the ability to quickly find the ultimate ergonomic position for your flat panel display. Tilt up and down, swing side-to-side and move up and down the length of the pole.



### Single-Screen, Height-Adjustable Double-Extension Arm 7915B/S H

This is the superior choice for flexibility. Sit to stand capabilities are just the beginning. And when your display is not in use, it's easy to move it to the back of your workspace, completely out of the way, even with deeper desks.



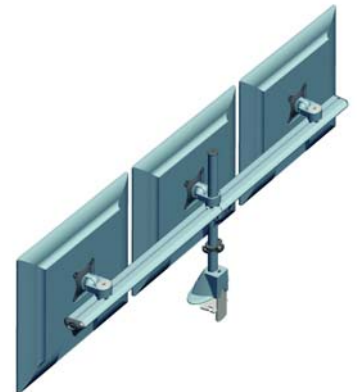
### Dual-Screen, Height-Adjustable Double-Extension Arms 7920B/S H

Need to support two displays? This option allows you to provide two displays for one user, or one display each for two users. All with Concerto's unique flexibility for each display.



### Triple-Screen Beam-Mount 7935B/S

This is the affordable mount for applications where multiple screens are necessary. Each display can still be tilted and swung side-to-side for matchless viewing angles.



### Parabolic Quad-Screen Beam-Mount 7940B/S

A single beam lets you spread out four flat panel displays anywhere you have the need for multiple screens. And the two on the ends can even be swung right around for other viewers. You can have one user for all four screens, or use the end screens for other users.



### Parabolic Octo-Screen Beam-Mount 7980B/S

The Octo is made for applications where you can never have too many screens. All independently adjustable, all suspended elegantly off a single support pole. Imagine the possibilities.



# CREATE YOUR IDEAL FLAT PANEL DISPLAY CONFIGURATION:

## Step 1

### Determine the number of monitors per workstation

The Concerto system can accommodate 1 to 8 screens at a single workstation

## Step 2

### Choose the best mounting method

5 mounting options - desk clamp, grommet hole, slat/slot, panel or wall

## Step 3

### Match the features to your application

Choose the spring-assisted height adjustment version for multiple users

Choose the extension version for deep or corner desks

## Step 4

### Pick a color

Choose between powder coated silver, black or custom finishes (custom colors available at minimum quantities)

## Step 5

### Place your order with one of our partners

If our standard configurations do not fit your need, please talk to a representative to create your own

## SKU INFORMATION

### Concerto Standard (black or silver finish) 7900B/S series

Model	Description
7905B/S	Single-Screen, Pole-Position (no extension arms), black or silver finish
7910B/S	Single-Screen, Single-Extension, black or silver finish
7915B/S	Single-Screen, Double-Extension, black or silver finish
7920B/S	Dual-Screen, Double-Extension, black or silver finish
7925B/S	Dual-Screen, Beam-Mount (no extension arms), black or silver finish
7935B/S	Triple-Screen, Beam-Mount (no extension arms), black or silver finish
7940B/S	Parabolic Quad-Screen Beam-Mount (four screens, c/w two extension arms), black or silver finish
7980B/S	Parabolic Octo Screen Beam Mount (four screens, c/w two extension arms), black or silver finish

### Concerto with Height Adjustable Arm (black or silver finish) 7900B/S H series

Model	Description
7910B/S H	Single-Screen, Single Height-Adjustable Extension, black or silver finish
7915B/S H	Single-Screen, Double-Extension with one Height-Adjustable Segment, black or silver finish
7920B/S H	Dual-Screen, two Double-Extension Arms with one Height-Adjustable Segment per screen, black or silver finish
7900H B/S R	Height-Adjustable Segment (black or silver finish) as retrofit, includes Allen/hex Key

## CONCERTO - AVAILABLE THROUGH OUR PARTNERS

Concerto meets the marketplace's rapidly growing need for a beautiful, modular support solution for flat panel displays. The inspired Concerto and all CompX ErgonomX products are available exclusively through our wide network of partners.

Get more information on how the Concerto flat panel display support system is perfect for your business application by visiting us at [www.compXergonomx.com](http://www.compXergonomx.com) today.



**CompX ErgonomX**

501 Manitou Drive, Kitchener  
Ontario, Canada N2C 1L2  
[www.compsergonomx.com](http://www.compsergonomx.com)

Phone 519.748.5060  
Fax 519.748.4783  
[ergo@compnet.com](mailto:ergo@compnet.com)

