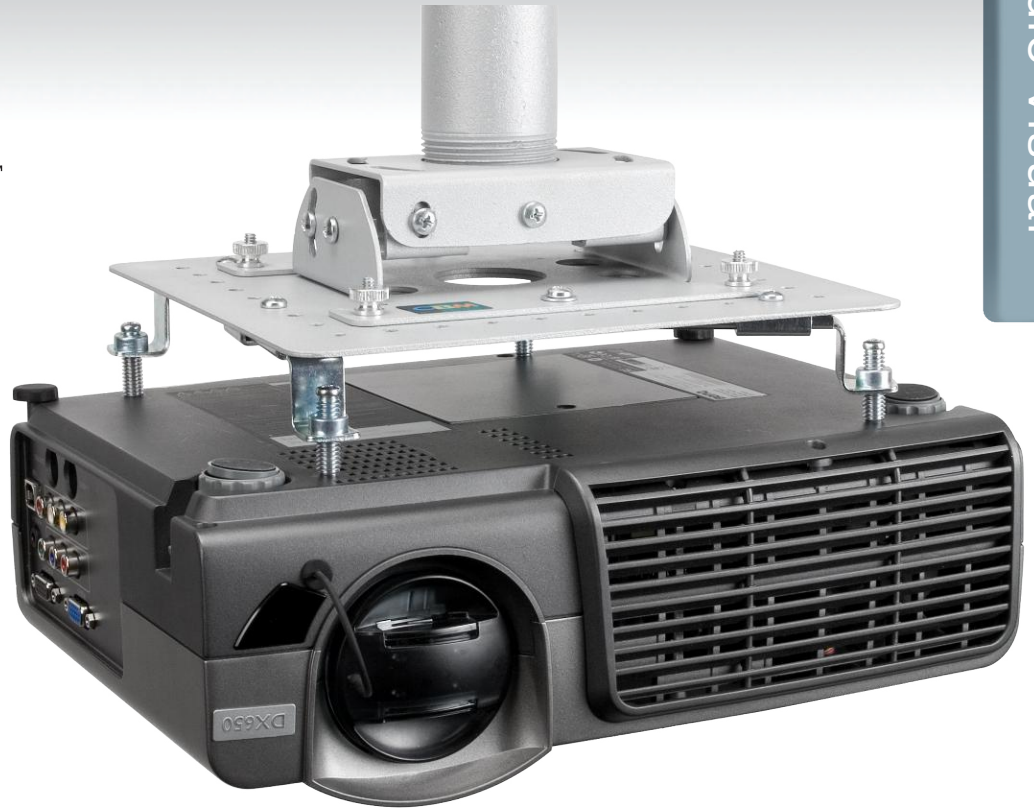


# UPRO-1

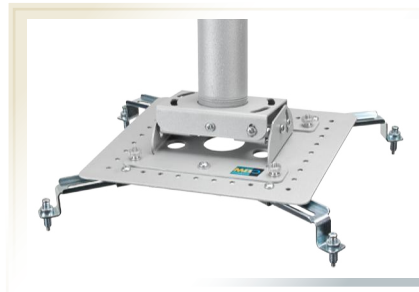
Universal LCD Projector Mount

**CBM**  
design driven  
manufacturing™

The CBM UPRO-1 Universal LCD Projector Mount fits most projectors and is perfect for commercial and home installations.



Audio Visual



## Standard Features

- Universal arms adjust to most LCD projectors.
- Max arm spread 16.625" across multilateral.
- Roll + -4 degrees, Pitch + -26 degrees, Yaw 360 degrees.
- Recommended maximum load 50 lbs.
- Can be flush mounted to any ceiling and receives a 1 1/2" N.P.T. tube.
- Silver grey powder coat finish.
- Pipe and projector sold separately.



## Also Available: UPRO-C1

- Ideal for use with the UPRO-1 Projector Mount or T1-LCD Mount.
- Receives a N.P.T. pipe 1.5" diameter (order separately).
- Silver grey powder coat finish.
- Locking nut provided for secure mounting.
- Recommended maximum load 50 Lbs.
- Ceiling mount hardware not included.

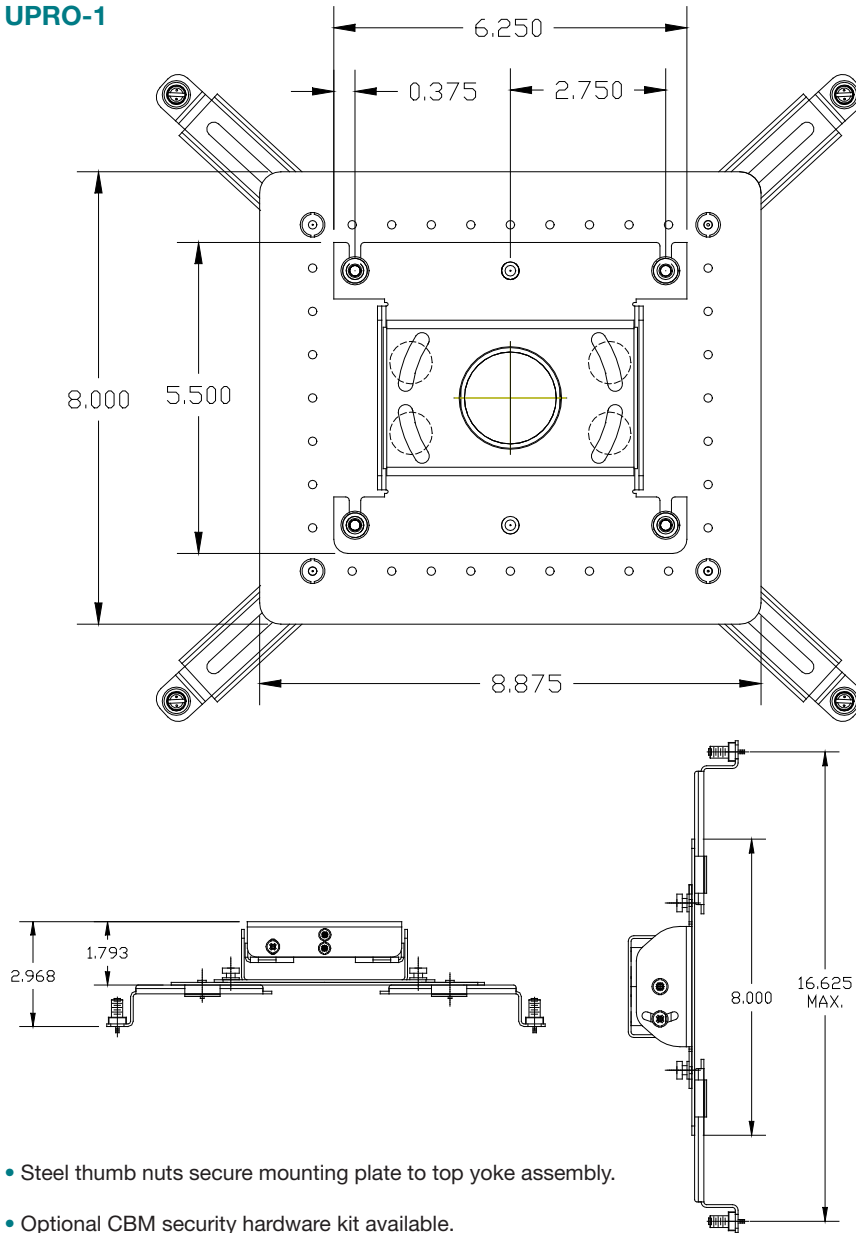


sales@cbmmetal.com • www.cbmmetal.com • 800.387.4834

# UPRO-1

## Universal LCD Projector Mount

UPRO-1



- Steel thumb nuts secure mounting plate to top yoke assembly.
- Optional CBM security hardware kit available.

### Specifications

Shipping weight: 4 lbs (1.8 kg)

Dimensions: 2.968" H x 16.625" W x 16.625" L (7.6 cm H x 42.2 cm W x 42.2 cm L)

Maximum load: 50 lbs (22.7 kg)

### \* 12 Month Full Satisfaction Guarantee \*

CBM Ltd. guarantees its products against failure or defects for a period of one year from date of purchase. This warranty is void if any damage to the product is due to misuse, abuse, neglect, accident, improper installation, or any uses contrary to the instructions accompanying the product. The foregoing are the purchaser's exclusive remedies. CBM Ltd. assumes no liability for special or consequential damages. Replacement product may be obtained by returning the product, transportation charges prepaid, together with a receipt of purchase or other documents acknowledging the sale.

sales@cbmmetal.com • www.cbmmetal.com • 800.387.4834