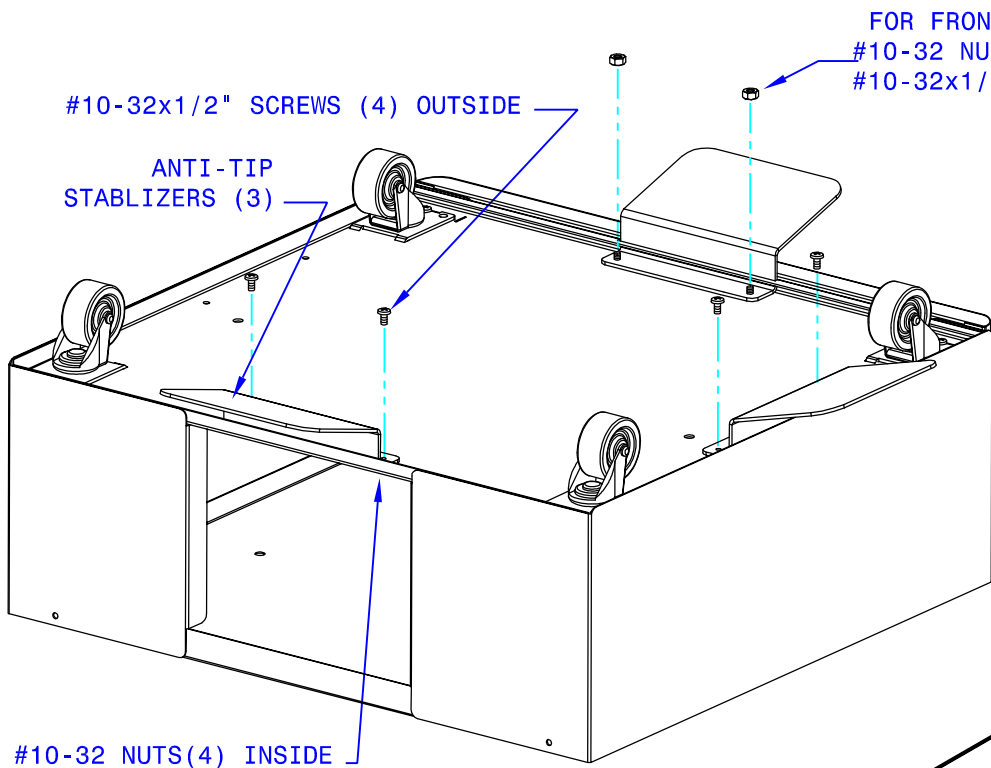


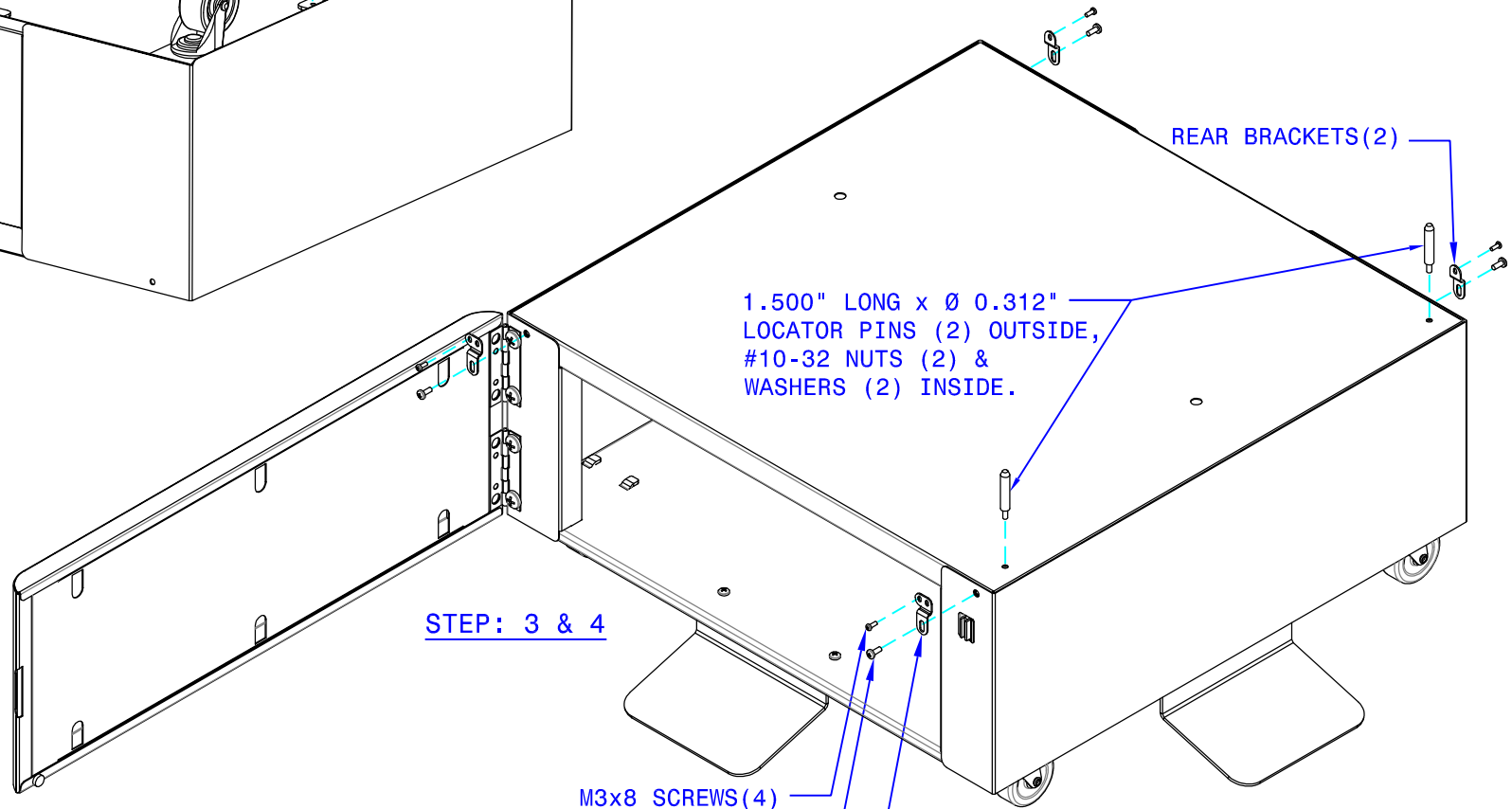
# INSTALLATION INSTRUCTIONS FOR TOSHIBA 2050C MODEL

TOOLS REQUIRED:  
#2 PHILLIPS SCREWDRIVER



STEP: 1 & 2

1. PLACE CABINET IN UPSIDE DOWN POSITION AND ALIGN STABILIZER MOUNTING HOLES WITH HOLES IN CABINET.
2. SECURE STABILIZERS TO CABINET USING #10-32 x 1/2" SCREWS AND NUTS PROVIDED.
3. ROTATE CABINET INTO UPRIGHT POSITION, INSTALL 1.5" x Ø.0312" PINS(2), #10-32 NUTS(2) & WASHERS(2).
4. AFTER INSTALLING COPIER ON UNIT, INSTALL FRONT & REAR BRACKETS(2 EACH), USING M4x10 SCREWS(4) ON CABINET, AND M3x8 SCREWS(4) ON COPIER SIDE.



STEP: 3 & 4

