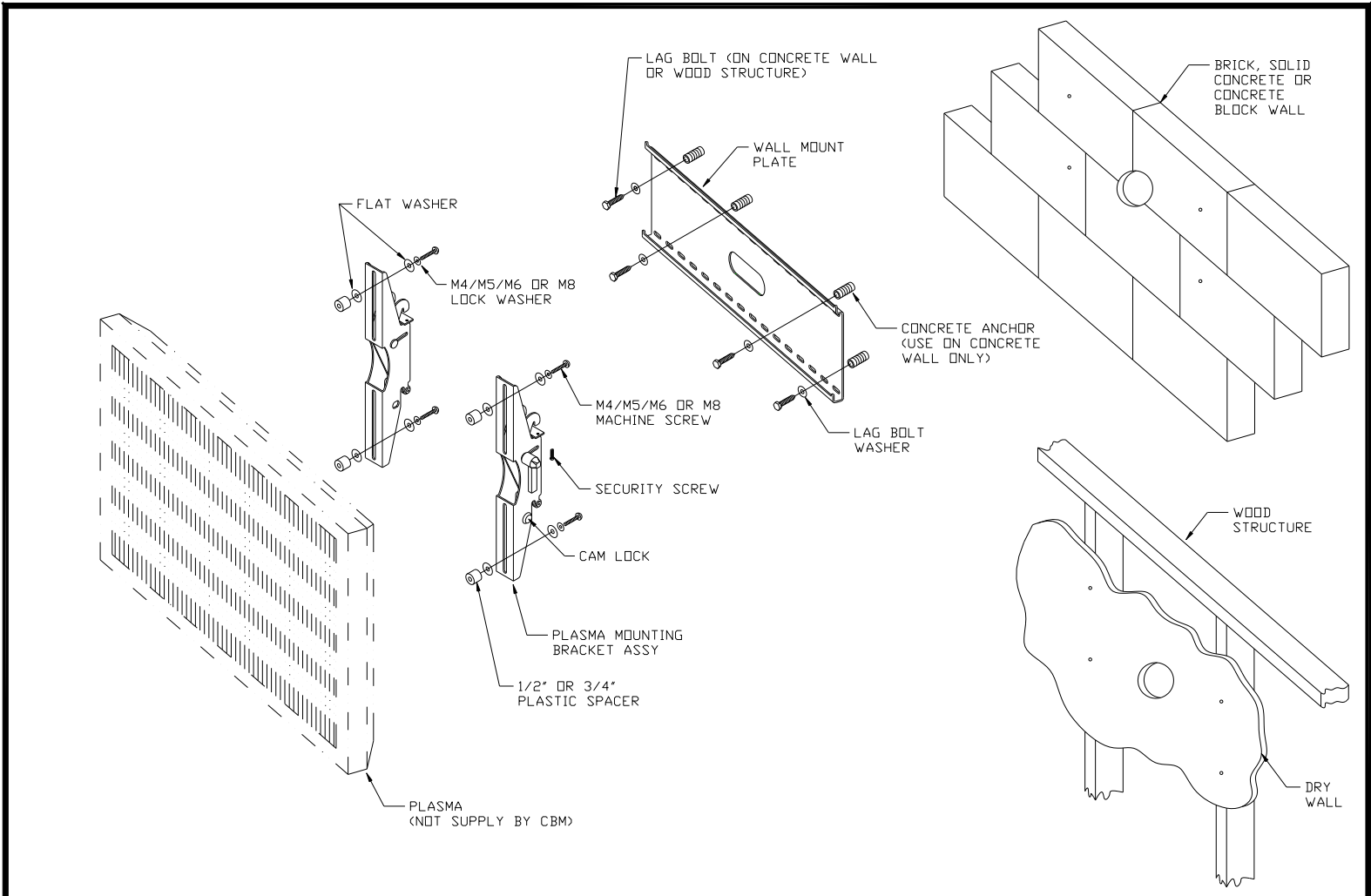


DESCRIPTION		ECN		CBM METAL		CBM METAL USA		PLASMA WALL MOUNTING BRACKET		DWG BY:	HN	DATE:	02-03-04
REVISIONS				1832 BDNHILL RD. MISSISSAUGA, ON L5T 1C4		4500 WINTER INDUSTRIAL ESTATES, #172 NIAGARA FALLS, N.Y. 14305-1386USA		CBM		CHECK BY:		DATE:	
THIS DRAWING AND THE INFORMATION HEREON ARE THE SOLE PROPERTY OF CBM METAL, AND ARE TO BE HELD IN STRICT CONFIDENCE FOR THE PRODUCTION OF CBM PRODUCTS. DUPLICATION, DISCLOSURE OR USE FOR ANY OTHER PURPOSE WITHOUT THE EXPRESSED WRITTEN AUTHORIZATION OF CBM METAL IS STRICTLY PROHIBITED.				ALL DIMENSIONS IN INCHES		SCALE: NTS		<b>CBM</b> DESIGN DRIVEN MANUFACTURING SINCE 1927		DWG No.		PRODUCT No.	
				TOLERANCES (UNLESS OTHERWISE SPECIFIED) FORMING: ±.016      STAMPING: ±.010 BLANKING: ±.016      ANGULAR: ±1°		APPR'D BY:				DATE:			



NO.	DATE	DESCRIPTION	ECN
REVISIONS			
ALL DIMENSIONS IN INCHES		SCALE: NTS	
TOLERANCES			
(UNLESS OTHERWISE SPECIFIED)			
FORMING: ±.016	BLANKING: ±.016	STAMPING: ±.010	ANGULAR: ±1°

CBM METAL  
 1832 BIRNILL RD.  
 MISSISSAUGA, ON  
 L5T 1C4

CBM

CBM METAL USA  
 4500 WITMER INDUSTRIAL ESTATES, #172  
 NIAGARA FALLS, N.Y.  
 14305-1386USA

DESIGN DRIVEN MANUFACTURING  
 SINCE 1927

PLASMA WALL MOUNTING BRACKET	
CBM	
DWG No.	PRODUCT No.

DWG BY:	HN	DATE:	07-06-04
CHECK BY:		DATE:	
APPR'D BY:		DATE:	

THIS DRAWING AND THE INFORMATION HEREON ARE THE SOLE PROPERTY OF CBM METAL, AND ARE TO BE HELD IN STRICT CONFIDENCE FOR THE PRODUCTION OF CBM PRODUCTS. DUPLICATION, DISCLOSURE OR USE FOR ANY OTHER PURPOSE WITHOUT THE EXPRESSED WRITTEN AUTHORIZATION OF CBM METAL IS STRICTLY PROHIBITED.